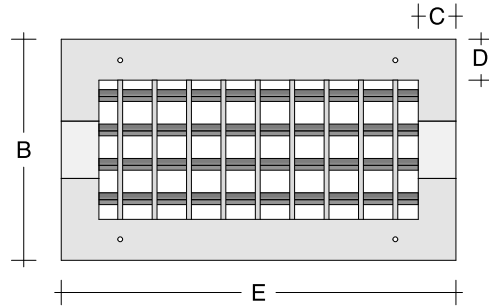
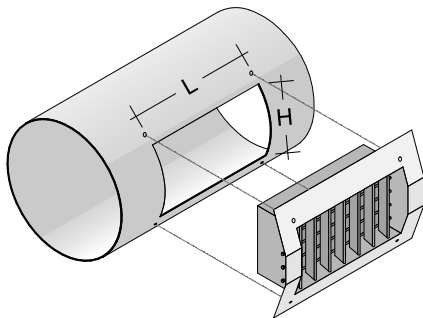


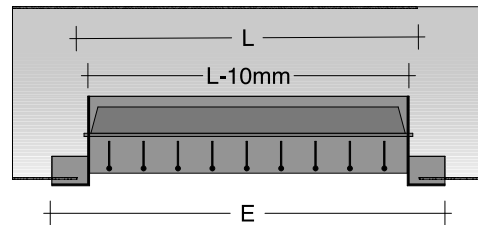
[ img.1 ]



[ img.2 ]



[ img.4 ]



[ img.3 ]

[ **img.1** ] corte vertical  
coupe verticale  
vertical cross-section  
corte vertical

[ **img.2** ] alçado frente  
vue de face  
front view  
vista frontal

[ **img.3** ] corte horizontal  
coupe horizontale  
horizontal cross-section  
corte horizontal

[ **img.4** ] perspectiva  
perspective  
perspective  
perspectiva

**dimensões de fabrico**  
dimensions de fabrication manufacturing dimensions  
dimensiones de fabricación

**(H)**  
**min.: 75mm**  
**max.: 225mm**

**(L)**  
**min.: 225mm**  
**max.: 1025mm**

**diâmetro da conduta**  
diamètre du conduit  
diameter of the duct  
diámetro del conducto

H=75	min: 160 mm máx: 400 mm
H=125	min: 315 mm máx: 900 mm
H=225	min: 630 mm máx: 1400 mm

	A	B	C	D	E
<b>TSP-DD</b>	53 mm	H+36 mm	23 mm	25 mm	L+40 mm